

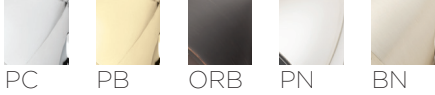
# SPEAKMAN® S-2251

## Icon™ Shower Head

### FEATURES:

- 8 plungers, 64 sprays
- Solid brass construction
- Spray adjusting handle
- 1/2 in. NPT inlet
- Patented plungers resist scale buildup
- 2.5 gpm (9.5 L/min) flow rate

### FINISH:



### COMPLIANCE:

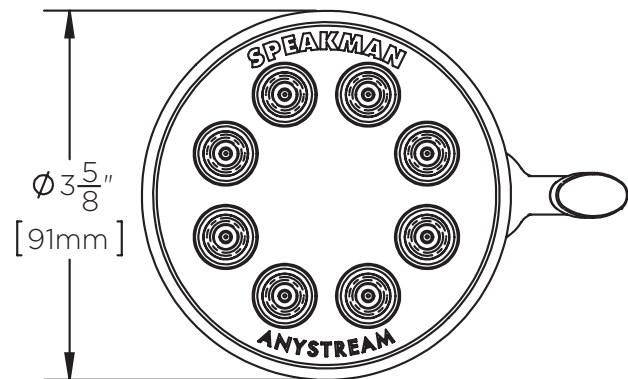
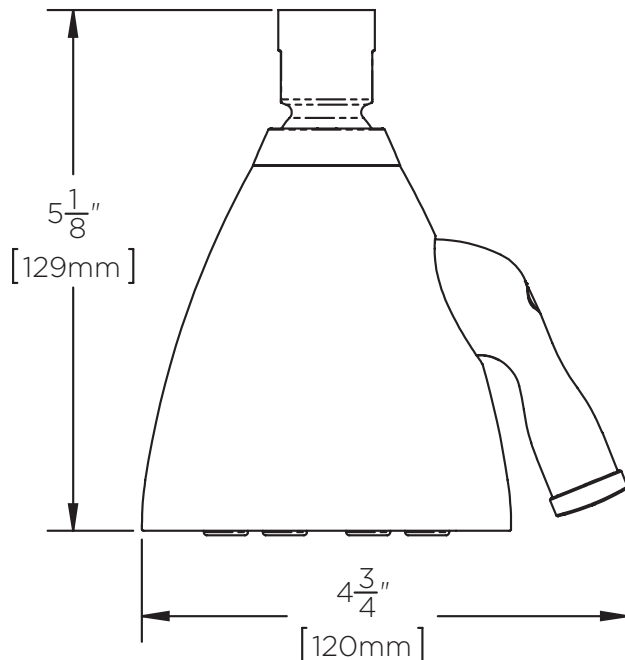
- ASME A112.18.1/CSA B125.1 compliant

### WARRANTY:

- Limited Lifetime Warranty (consumer use)
- 1 Year Limited (commercial use)



### DIMENSIONS:

 NOTE: 1. All dimensions are in inches (millimeters) unless otherwise specified and are subject to change without notice.

Architect/Engineer Approval Space:

SPEAKMAN  
400 ANCHOR MILL ROAD  
NEW CASTLE, DE 19720

P: 800-537-2107  
F: 800-977-2747  
W: WWW.SPEAKMAN.COM  
R: DECEMBER 2016