

LABORATORY COUNTERTOP EYEWASH



LABORATORY COUNTERTOP EYEWASH

The laboratory can be a crowded, cluttered place. But when handling hazardous chemicals, ANSI requires that an eyewash is both easy to locate and within 10-seconds travel time from a dangerous location.

Featuring a space-saving, ergonomic design – our countertop mounted eyewash is perfect for any laboratory.

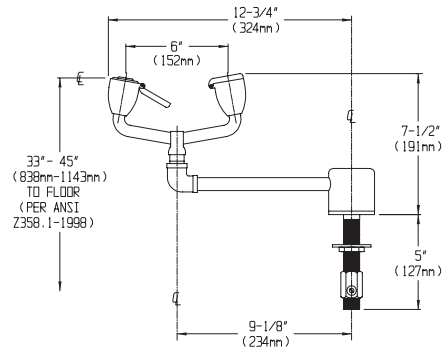


FEATURES

- Aerated sprays deliver soothing, comfortable relief.
- Intuitive swing activation.
- Dust caps protect spray heads from dirt and debris.
- Emergency sign included.
- 3.06 GPM at 30 psi.

COMPLIANCE

- ANSI/ISEA Z358.1 Certified.



SPEAKMAN	DESCRIPTION	HAWS	BRADLEY	GUARDIAN	ENCON
SE-570	Laboratory Counter Mounted Eyewash	7611	S19274C S19-270E S19274E	G1805	01040127 01040128